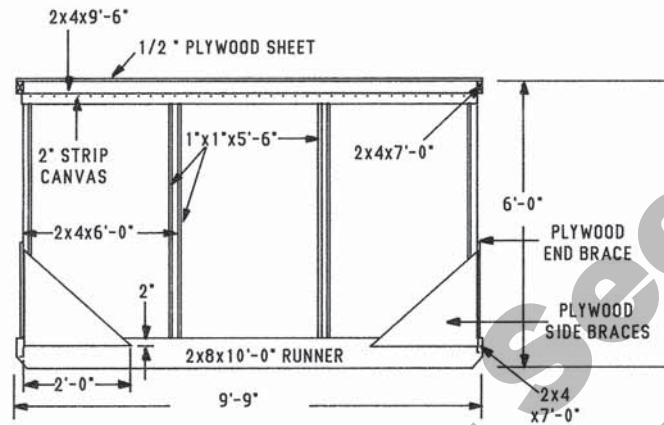
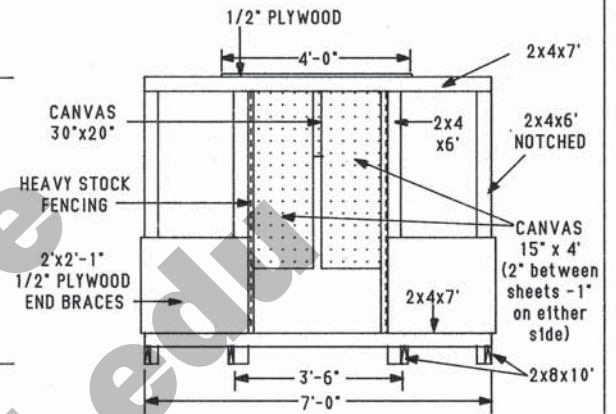


TOP VIEW



SIDE VIEW

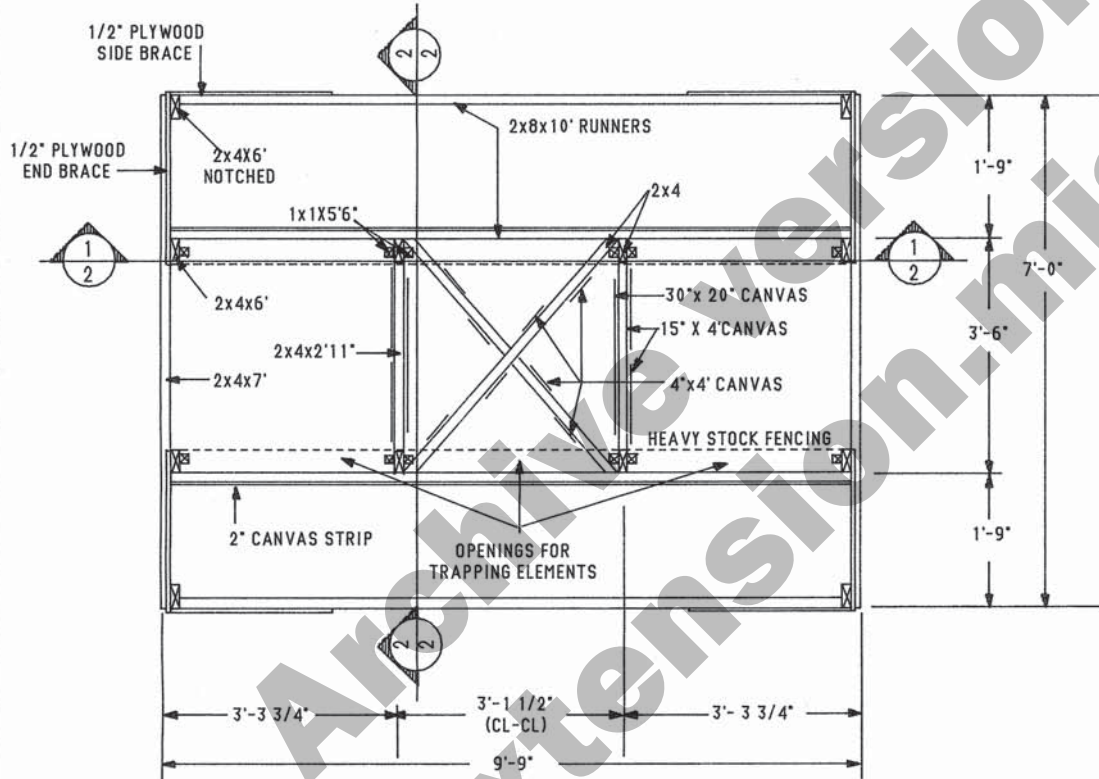


FRONT VIEW

FLYTRAP FRAMING VIEWS

SCALE: 1/2" = 1'-0"

NOTE: TRAPPING ELEMENT IS NOT SHOWN ON ANY FRAMING DWG.



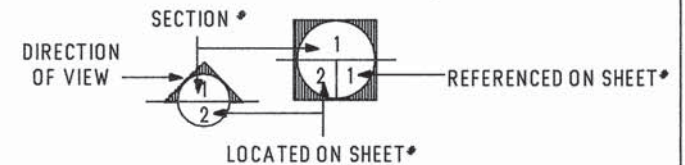
TOP VIEW WITH PLYWOOD REMOVED

SCALE: 3/4" = 1'-0"

NOTES:

- ALL LUMBER IS CCA TREATED.
- ALL 2x8 'S CCA TREATED FOR GROUND CONTACT.
- TRAPPING ELEMENT IS NOT SHOWN IN FRAMING DRAWINGS
- SEE GUIDE SHEET 1195 - NOTE: PLAN HAS BEEN REVISED SINCE THIS PUBLICATION.
- TRAPPING ELEMENTS ARE ATTACHED TO FRAME BY 4 HOOK & EYE CONNECTIONS PER ELEMENT

◦ KEY:



UNIVERSITY OF MISSOURI- COLUMBIA ◦ AGRICULTURAL ENGINEERING DEPARTMENT

FLY TRAP - FRAMING

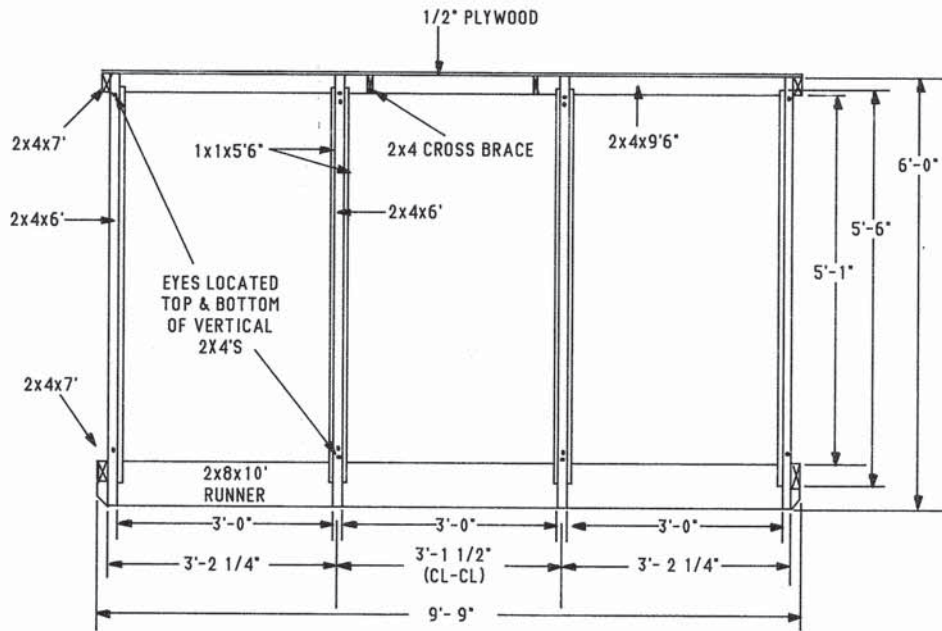
SCALE: AS SHOWN

DRAWN BY: ENGINEERING SERVICES

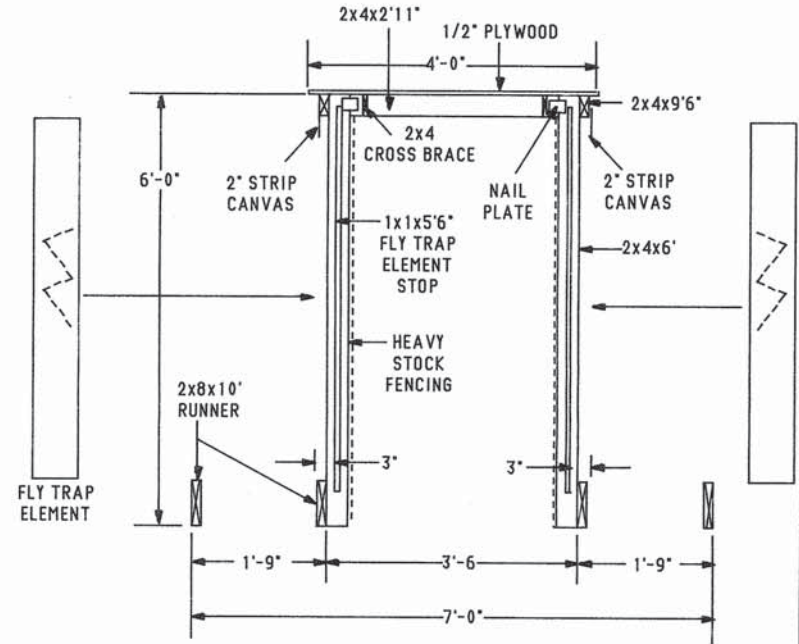
SHEET 1 OF 3

PLAN: 1-904-C6

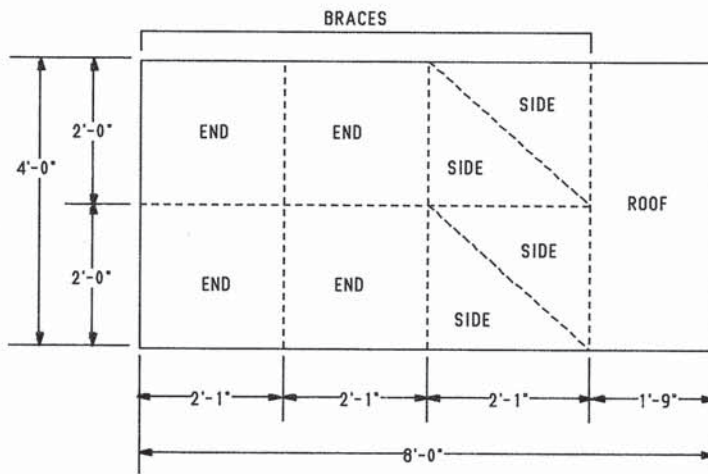
REVISED: 7/22/91



CROSS-SECTION



CROSS-SECTION
CENTER CANVAS PIECES REMOVED



CUTTING PATTERN FOR 2ND PIECE OF 1/2" PLYWOOD

UNIVERSITY OF MISSOURI - COLUMBIA • AGRICULTURAL ENGINEERING DEPARTMENT

FLY TRAP - FRAMING

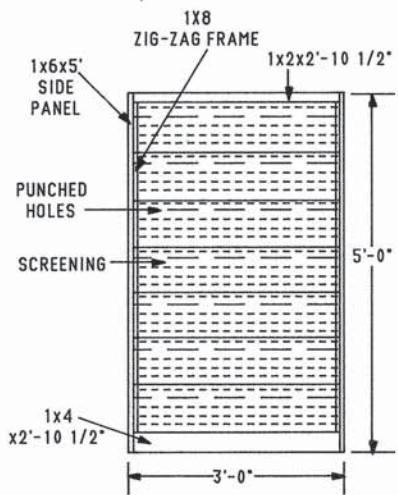
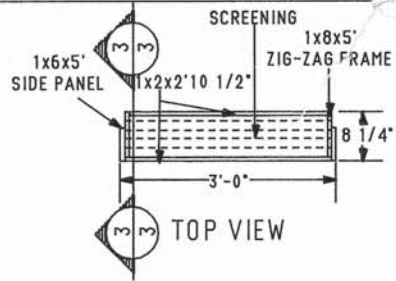
SCALE: 3/4" = 1'-0"

DRAWN BY: ENGINEERING SERVICES

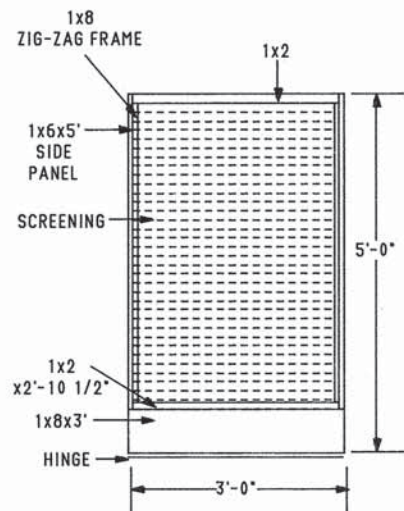
SHEET 2 OF 3

PLAN: 1-904-C6

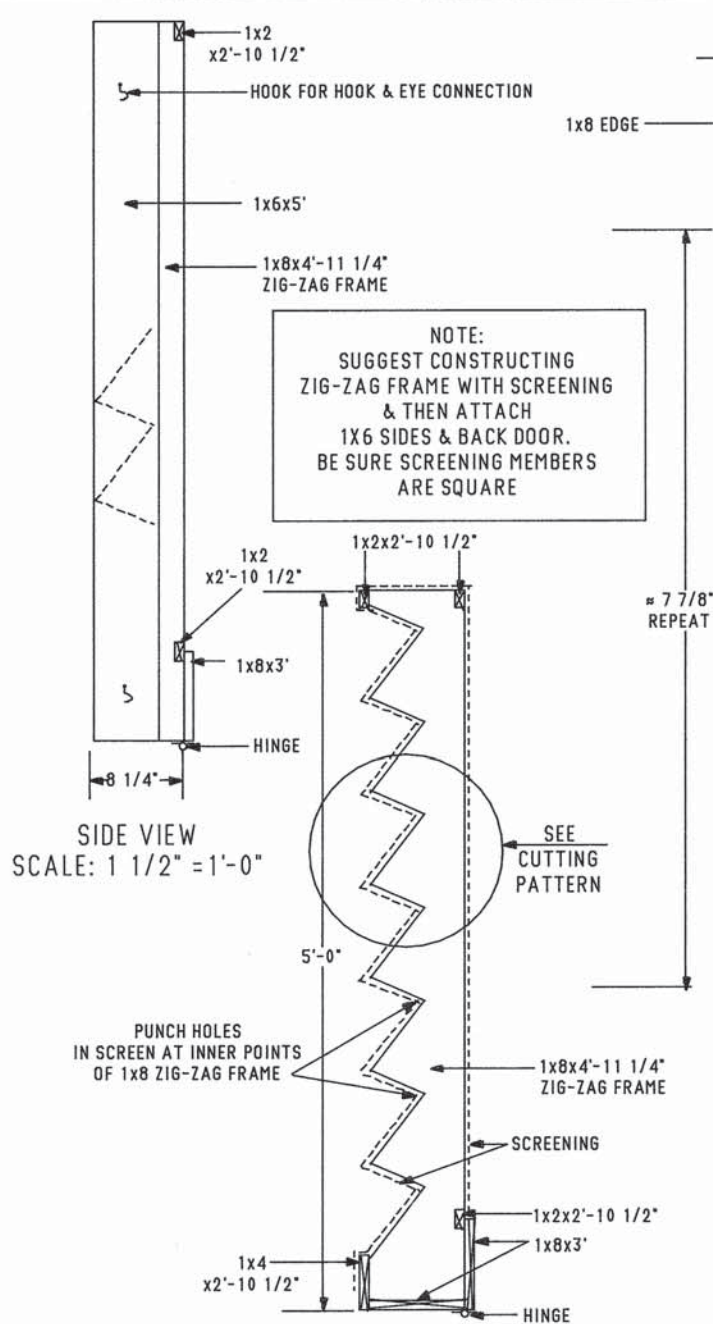
REVISED: 7/22/91



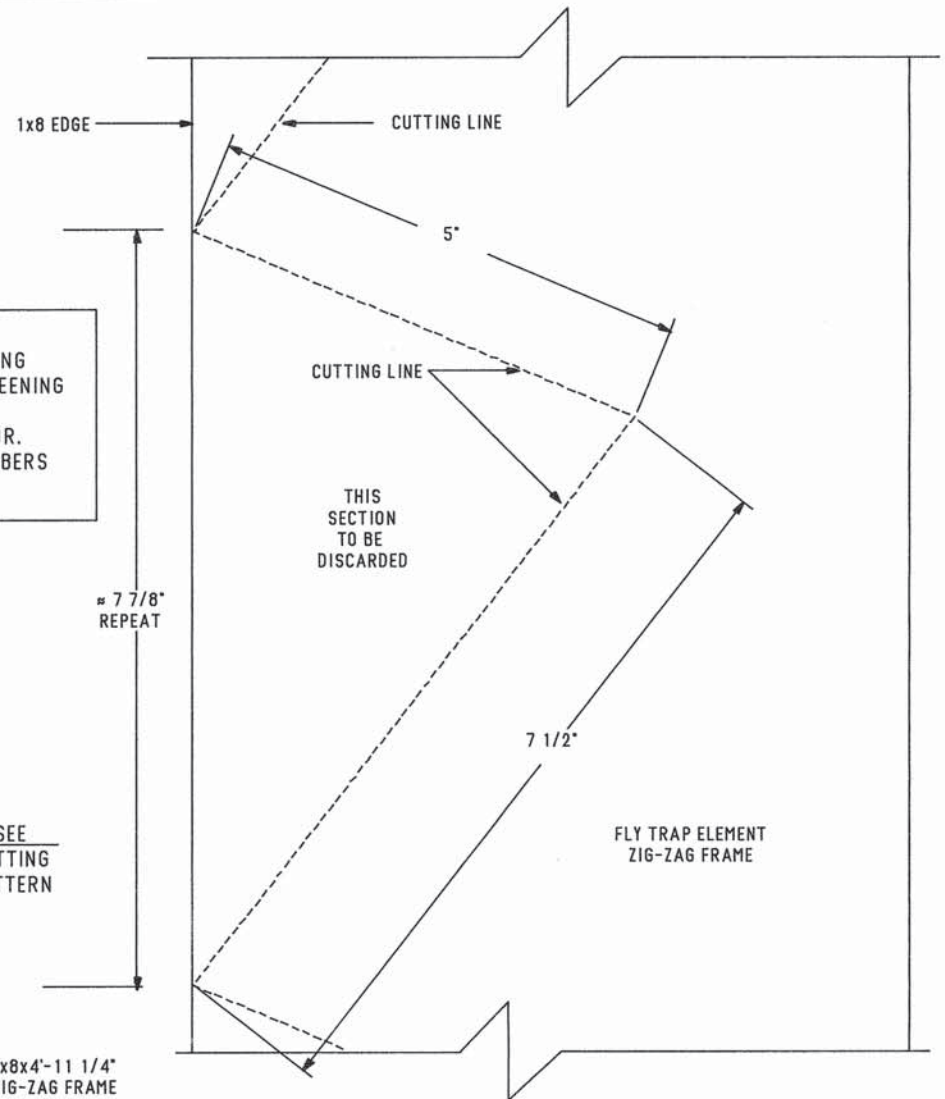
FRONT VIEW



BACK VIEW



SIDE VIEW
SCALE: 1 1/2" = 1'-0"



CUTTING PATTERN FOR 1x8 ZIG-ZAG FRAME
SCALE: ACTUAL SIZE

UNIVERSITY OF MISSOURI-COLUMBIA • AGRICULTURAL ENGINEERING DEPARTMENT

FLY TRAP - ELEMENT

SCALE: 3/4" = 1'-0" UNLESS OTHERWISE NOTED

DRAWN BY: ENGINEERING SERVICES

SHEET 3 OF 3

PLAN: 1-904-C6

REVISED: 7/22/91