

Simple Home Repairs — Storm Doors and Windows

Patricia Klobe

Department of Environmental Design, University of Missouri-Columbia

Storm doors are very beneficial for insulation, but sometimes they need repairing. The glass may be cracked, broken or loose in the frame, allowing air to come through the window or door.

You will need:

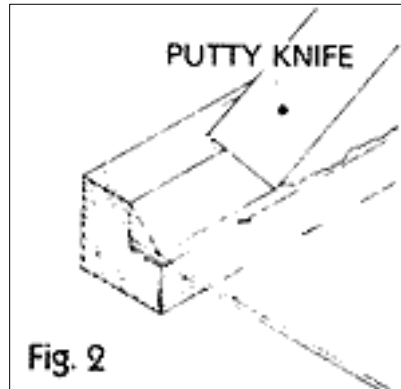
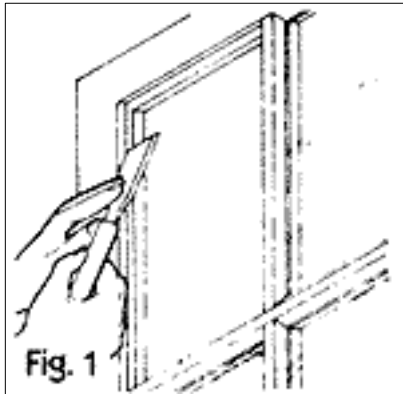
- Replacement glass (Grade "B" window-type glass, 3/32 inch thick)
- Putty (synthetic)
- Linseed oil
- Caulking mastic
- Solvent
- Paint (to match existing paint)
- Glazier's points
- Glass cutter, T-square and a smooth work surface (if glass is to be cut)
- Putty knife
- Small chisel and small screwdriver
- Hammer and nail set
- Paint brush (small, for trim work)

Repairing

To repair storm doors and windows, you may need to replace cracked/loose putty in wood sashes, or replace cracked/broken glass in wood or metal window and door frames. It's a good idea to use safety glass in storm doors, whether or not local building codes require them.

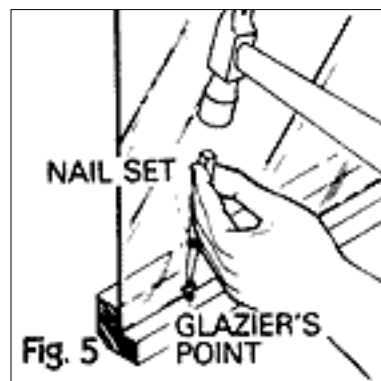
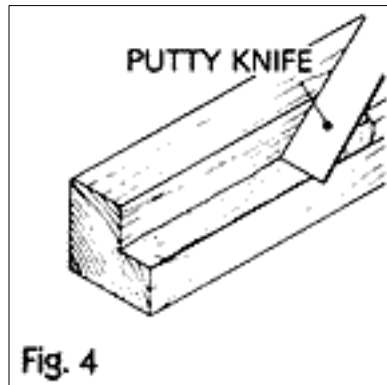
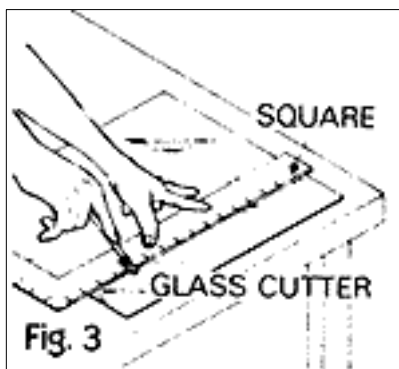
Replacing putty

Using the chisel, remove the cracked and loose putty from the frame (Figure 1). Apply a coat of linseed oil to the exposed wood frame. Using putty knife, reseal the glass with a bead of putty or plastic glazing (Figure 2). Press the putty firmly in place to assure a tight seal. Allow approximately a week for the putty to dry, then paint it to match the existing trim. Follow the directions on the paint container.



Replacing glass in wood frames

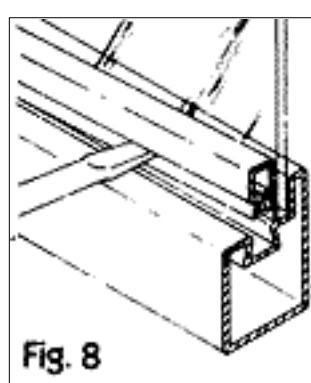
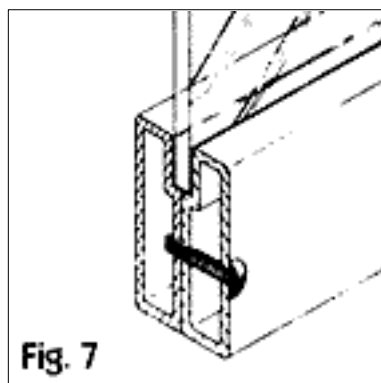
1.
 - Measure the opening to be glazed. Subtract 1/16 inch to 1/8 inch from the width and height to allow for irregularities in the frame. The glass may be ordered cut to size, or it can be cut using a glass cutter.
 - If the glass is cut on the job, first lay the sheet of glass flat on a table. Mark the measurements on the glass with the glass cutter. Place a thin coat of turpentine on the glass cut line. Take care not to cut your hands on glass edges. Using the square as a guide, draw the cutter carefully and firmly along the cut line only **once** as shown in Figure 3. Additional strokes of the cutter can break the glass. Move cut line to edge of table. Tap cut line lightly for a clean break.
2. Using the chisel, remove the damaged glass, old putty and old glazier's points from the frame. Apply a coat of linseed oil to the frame. Using the putty knife, spread a thin layer of putty on all sides of the frame in which the glass is to rest (Figure 4). This "back-puttying" of the glass will assure a right joint and also cushion the glass.
3. Place the new glass in the opening and press it firmly against the bed of putty. Now place the glazier's points flat against the glass about every 8 inches and drive the points into the frame with a nail set and hammer (Figure 5). Make sure that at least 1/8 inch of the glazier's point is left projecting along the glass to hold the glass in place.
4. Apply putty along the four edges of the glass and the outer edges of the frame or molding. Press the putty down firmly at an angle from the glass to the edge of the frame to provide a tight seal. Allow the putty to dry for a least a week, then paint it to match the existing trim.



Replacing glass in metal frames

This repair will depend upon the type of metal frame (sash) and the manner in which the glass is held in place. The two most common types of frames used in residential construction are:

- Frames in which the glass rests against a raised portion of the frame and is held in place by a "snap-in" glazing bead or strip that fits into a groove as illustrated in Figure 6. Mastic or some form of rubber seal may be used to seal the glass.
- The glass is sandwiched between the two halves of the frame or sash and held together by rivets or screws. Some form of rubber seal, attached to each inside half of the frame, should be used to make the glass joint airtight (Figure 7).



If the frame is similar to type (1) above, first use step 1a and step 1b for wood frames. Then proceed as follows:

Figure 8 shows how to remove the glazing beads from the frame or sash with the tip of the screwdriver. Now carefully remove the damaged glass.

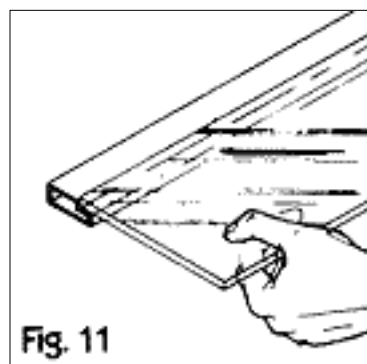
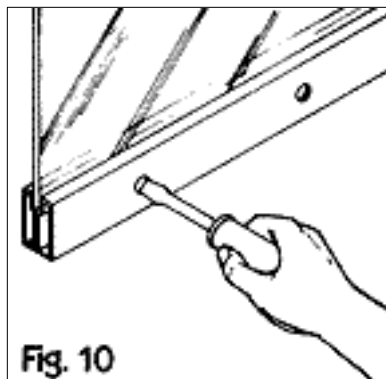
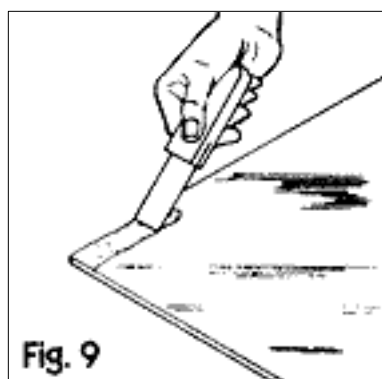
If mastic has been used to seal the glass, remove the old mastic from both the frame and the glazing beads. Then clean both free of all grime, using a cloth soaked with a solvent.

Using the putty knife, spread a layer of mastic on the frame where the glass is to rest. Place the new glass in the opening and press it firmly against the mastic. Now apply a heavy layer of mastic along the edge of the glass, 1/8 inch thick and a width equal to the raised portion of the glazing bead (Figure 9).

Carefully replace the glazing bead. Examine the edge of the bead to assure that the mastic is tight between the glass and the bead. Remove excess mastic along the edge of the bead. Then use the cloth and solvent to finish the cleaning.

If the frame is similar to type (2) above, and is held together with screws, first use step 1a and step 1b for wood frames. Then continue, using the following procedures:

Remove the screws holding the two frame halves together (Figure 10). Then remove one of the frame halves. Carefully remove the damaged glass.



Place the new glass in the frame on the rubber seal as shown in Figure 11. Now screw the two frame halves back together.

Your benefits

By repairing your storm doors and windows, you will save on heating and cooling costs.

This guide was reprinted from the United States Department of Agriculture publication, Program Aid No. 1193, Extension Service.

University of Missouri. Published by University Extension, University of Missouri-Columbia. Issued in furtherance of Cooperative Extension Work Acts of May 8 and June 30, 1914, in cooperation with the United States Department of Agriculture. Ronald J. Turner, Director, Cooperative Extension Service, University of Missouri and Lincoln University, Columbia, Missouri 65211. • University Extension does not discriminate on the basis of race, color, national origin, sex, religion, age, disability or status as a Vietnam-era veteran in employment or programs. If you have special needs as addressed by the Americans with Disabilities Act and need this publication in an alternative format, write ADA Officer, Extension and Agricultural Information, 1-98 Agriculture Building, Columbia, MO 65211, or call (573) 882-7216. Reasonable efforts will be made to accommodate your special needs.