

Water Quality

Focus Area
A Quality World:
Bringing
About Change



PUBLISHED BY UNIVERSITY EXTENSION, UNIVERSITY OF MISSOURI-COLUMBIA

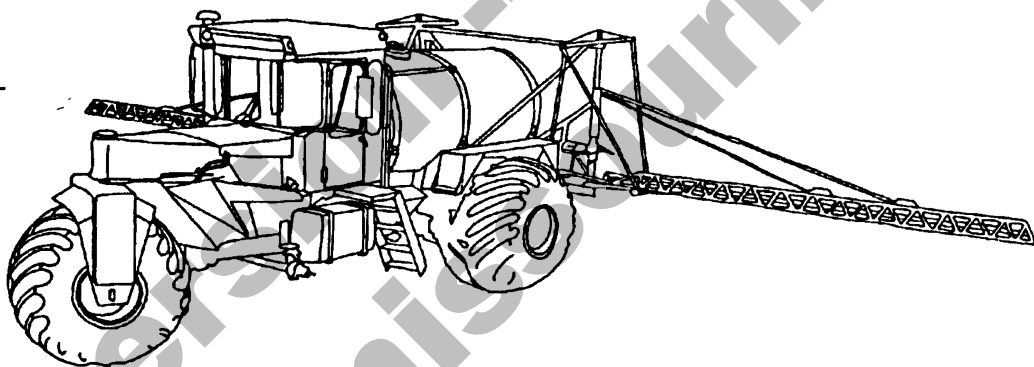
Missouri Department of Agriculture

Daryl Buchholz, Extension Agronomy

The Missouri Department of Agriculture was created in 1933 replacing the Missouri State Board of Agriculture. This department enforces state laws regulating the handling and marketing of agricultural products.

The department

- protects producers, processors, distributors and consumers of food and fiber
- promotes Missouri's agricultural economy.



The Department of Agriculture and Groundwater Quality

The key role is filled by the Bureau of Pesticide Control in the Department's Plant Industries Division. This Bureau:

- Administers the **Missouri Pesticide Registration Law**
– this registers all pesticides sold in the state
- Administers the **Missouri Pesticide Use Act**
– this certifies and licenses all commercial and private pesticide applicators and dealers.

Bureau of Pesticide Control

Call the Bureau of Pesticide Control (314-751-2462) if you:

- have a complaint or concern about the improper use of pesticides
- have questions regarding unregistered or outdated pesticide products
- need information about pesticide licensing or certification.

Information on Training

For information on training, write the Office of Pesticide Coordinator, 45 Agriculture Building, University of Missouri, Columbia, MO 65211, or telephone 314/882-7181. Or contact your county University Extension office.

This publication was written by Karen DeFelice, former associate extension agronomist; Nyle Wollenhaupt, former state extension agronomist; and Daryl Buchholz, state extension agronomist. This material is based upon work supported by the United States Department of Agriculture, Extension Service, under special project number 89-EWQI-1-9203.



**University
Extension**
UNIVERSITY OF MISSOURI
COLUMBIA

■ Issued in furtherance of Cooperative Extension Work Acts of May 8 and June 30, 1914 in cooperation with the United States Department of Agriculture. Gail L. Imig, Director, Cooperative Extension Service, University of Missouri and Lincoln University, Columbia, Missouri 65211. ■ An equal opportunity institution.