

MIZZOU WEEKLY

University of Missouri-Columbia

September 27, 1985

Kickoff!

The campus United Way campaign kickoff will be at 7:30 a.m. Oct. 3 in Memorial Union's Benton-Bingham Room, N214-215. Regional, district and unit chairs are invited.

United Way packets will be distributed to unit chairs at the meeting, says campus campaign Chair Gary Smith, director of Admissions and Registrar. UMC Associate Provost Gerald Brouder is serving as chair for the Columbia campaign.

United Way is a non-profit organization with 27 agencies serving the Columbia area.

Excess items generate cash

Have an extra desk? Need a file cabinet? Check with Materials Management.

A new policy on excess property allows University departments to receive 80 percent of the proceeds when their good, usable equipment is sold through the Materials Management department. Since July 1, approximately \$7,000 has been returned to departments, says manager Larry Baumgartner. He estimates that \$12,000 has been returned to departments since Materials Management began operation at the first of the year.

"We've done away with the policy of giving away excess property, where the department received no money for items sold," Baumgartner says. Under the new policy, departments with excess property submit Form 27 to Materials Management, which then picks up and delivers the item

to the warehouse on the west side of Rock Quarry Road near Campus Inn. In most cases Materials Management prices the property, but will work with the originating department in determining the value.

University departments may purchase excess property with IDO's at the warehouse from 8 a.m. to 5 p.m. weekdays. Since inventory changes daily, Baumgartner advises departments to determine availability of items by visiting the warehouse or by calling 882-4912. For a small fee, Materials Management will deliver items purchased by departments. Because warehouse space is limited, departments that wish to move items themselves must do so within five days of purchase. Items not removed after five days will be

Please turn to Page 4.

Awards honor leading UMC faculty, alumni

Recipients of the Distinguished Service Award and the Distinguished Faculty Award are among 17 faculty and alumni to be honored Sept. 27 by the Alumni Association.

A reception will begin at 6 p.m. in the student lounge of Memorial Union, fol-

lowed by dinner at 7 p.m. in the Union's Mark Twain Ballroom.

B.D. Simon Jr., BS CE '38, of Columbia, president and chairman of the board of B.D. Simon Construction Co., will receive the Distinguished Service Award, the highest honor that the Alumni Association presents to an alumnus or alumna. The award, established in 1956, recognizes outstanding service by an individual whose sustained efforts and support have added to the excellence of UMC.

Mary M. Lago, MA '65, PhD '69, professor of English, will receive the Distinguished Faculty Award, the highest honor that the Alumni Association presents to a faculty member. The award, established in 1960, recognizes a faculty member whose sustained efforts in teaching, research and service have added to the excellence of UMC. The award also places special emphasis on the faculty member's relationship with students.

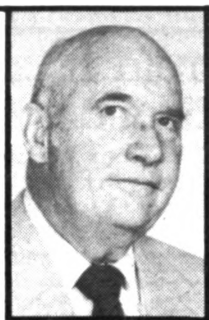
The Alumni Association will recognize the achievements of 15 persons with Faculty-Alumni Awards, begun in 1968. Assistant, associate and full professors are considered for their work as teachers, researchers and administrators. Alumni are considered for both their potential and actual accomplishments in professional life and service to their alma mater.

Faculty recipients are: Robert P. Breitenbach, professor of biological sciences; Marilyn Coleman, MS '67, EdD '75, professor and chair of child and family development; Joan M. Krauskopf, R.B. Price Professor of Law; M. Bonner Mitchell, professor of Romance languages; Michael C. Perry, associate professor of hematology and medical oncology; and C. Brice Ratchford, professor of agricultural economics and former University of Missouri president.

Alumni recipients are: James H. Brown, BS CE '48, of Forth Worth, Texas, president and chief executive officer of the Fort Worth and Denver Railway Co.; John Hall Dalton, AB '49, of Kennett, Mo., head of the law firm Dalton, Treasure and Mowrer; David M. Haggard, BS Agr '65, of Kennett, Mo., farmer and seed producer; Margaret Blake Kelly, BS BA '57, of Jefferson City, Mo., state auditor; Harold H. "Hal" Lurie, BS Med '44, of Springfield, Mo., internist with The Diagnostic Clinic Inc.; Sarah McClendon, BJ '31, newspaper, radio and television journalist in Washington, D.C.; Larry L. McMullen, AB '53, JD '59, of Kansas City, partner in the law firm Blackwell, Sanders, Matheny, Weary and Lombardi; Roswell "Bud" Messing Jr., BS BA '38, of St. Louis, president of Messing Enterprises Inc. and a director of Lindell Trust Co.; and Kenneth H. Suelthaus, JD '69, of St. Louis, president of the law firm Suelthaus, Kaplan, Cunningham, Yates, Fitzsimmons and Wright.



Simon



Breitenbach



Coleman



Krauskopf



Mitchell



Perry



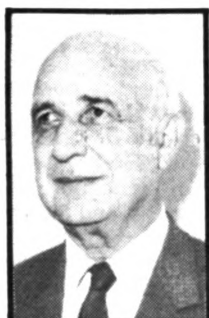
Ratchford



Brown



Lago



Dalton



Haggard



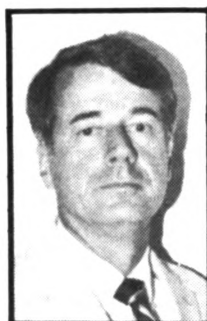
Kelly



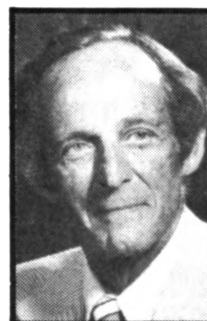
Lurie



McClendon



McMullen



Messing



Suelthaus

HUNTING FOR A HUNTING PLACE?

Here's the secret to finding a good place to hunt: ask.

"I'd check out the public access hunting land first," advises DeeCee Freiling, UMC fisheries and wildlife extension assistant. Information is available from the Missouri Department of Conservation, P.O. Box 180, Jefferson City, Mo., 65102, telephone (314) 751-4115.

"Another good bet is to ask private landowners for permission, but ask early, before hunting season starts," Freiling says. According to a nationwide survey by the National Shooting Sports Association, one-third of the landowners who post "no hunting" signs will give permission to hunt if asked.



STUTTERERS' GROUP FORMS ON CAMPUS

A local chapter of the National Stuttering Project is now forming on campus. The group provides an opportunity for those who stutter to have fun helping each other manage and deal positively with the challenging experience of stuttering.

An organizational meeting will be held at 5:30 p.m. Sept. 30 in S4 Memorial Union. Interested non-stutterers, parents and friends are welcome.

AGRICULTURE ENROLLS QUALITY STUDENTS

Typical College of Agriculture students ranked near the top of their graduating class in high school and decided before they were teenagers to attend college, according to a survey of incoming freshmen at UMC.

Average class rank of entering students was 14th out of an average class size of 104. High-school gradepoints averaged 3.48 on a 4.0 scale, with 40 percent ranking in the top 10 percent of their graduating class.

"Our survey shows we have quality students enrolling in the College of Agriculture," says Diana Helsel, assistant dean for resident instruction in agriculture.

The survey also showed that 48 percent of the students decided to attend college before entering junior high. "Students are making decisions about attending college much earlier than many of us realized," Helsel says.

Some 43 percent said they were influenced to attend UMC because they received a scholarship, the survey showed.

The college's most popular majors, according to the survey, are agricultural economics and pre-veterinary medicine. Other commonly selected programs were biochemistry and food service and lodging management.

✓ Can-Do-Crew



We've changed our inventory.

Scotch brand Post-it Notes 12 pads/pkg.

Stock #	Size	Price/Pkg.
628	1 1/2" X 2"	\$2.70
629	3" X 3"	6.07
630	3" X 5"	7.88

631 2 3/8" X 4 1/8" 4.38
(Routing Requests)

General Stores

Your campus source of office, janitorial & maintenance supplies

882-6906

We're changing for you.

Retirement announced

William Robert Kimel, dean of the College of Engineering, has announced his retirement effective June 30, 1986. He has served as engineering dean and professor of nuclear engineering since 1968.

Kimel plans to stay active in engineering education by serving as vice president and chairman of the Professional Engineers in Education of the National Society of Professional Engineers.

"Bill Kimel has served faithfully and energetically as dean of engineering for more than 17 years. The entire University is indebted to him for this service," Provost Ronald F. Bunn said.

In addition to his career in education, Kimel's experience includes industrial work as an engineer for Goodyear Tire and Rubber Co., Boeing Airplane Co. and Westinghouse Electric Co.

He is past president of the American Nuclear Society, the Missouri Society of Professional Engineers and the Junior Engineering Technical Society.

Among numerous honors, Kimel has received the UMC Faculty-Alumni Award.

Black student numbers hold

Black undergraduate enrollment continues to stabilize at UMC, according to a report prepared by the Office of Equal Opportunity. The 1984-85 report is the fourth of five annual reports that UMC will submit to the Office for Civil Rights to satisfy a five-year desegregation plan.

While the 1984-85 actual enrollment of black students was lower than projected, the number of black students attending UMC last year increased slightly. The office projected a 6.1 percent increase in freshman enrollment, but achieved a 4.1 percent increase, from 148 in 1983-84 to 153 in 1984-85.

Black undergraduate enrollment was up 3.8 percent, from 671 to 683. A 4.7 percent increase had been projected. Black graduate student enrollment was projected to in-

crease 5.4 percent compared with an actual increase of 2.4 percent, from 113 to 126. Professional student enrollment increased the projected 4 percent, from 41 to 46.

A 52.1 percent retention rate was achieved at the undergraduate level, instead of the projected 54.6 percent. Master's degree candidates tallied a 92.9 percent retention rate, compared with a projected rate of 73.1 percent.

"The projections are not to be construed as fixed quotas, but rather as guideposts to measure progress," says Alton Zanders, director of Equal Opportunity. "The stabilization that has occurred shows that we are still striving to achieve these goals." According to Zanders, the decline of the baby boom is the most significant factor affecting black enrollment at Mizzou.

Zanders cites the Minority Visitation Program and Inroads, a leadership program offering scholarships, career counseling and summer internships, as two programs that augment black enrollment.

Mussman to direct University Relations

Robert L. Mussman, currently associate director of the UM University Relations office, will become its director Oct. 1.

Mussman will assume the University Re-

lations responsibilities of Guy M. Horton, who has been director since 1973. The change will allow Horton, who has also served as executive assistant to the president since September 1983, to devote more time to his increasing responsibilities in the president's office, says UM President C. Peter Magrath.



Q. In Lot WC7, seven to 10 College of Agriculture/University cars and pickups are parked all day long in a high-use lot. Is the College of Agriculture paying \$10.50 a month for each vehicle that is parked there? If not, why can't those vehicles be parked elsewhere so that there's space for the faculty and staff who do pay the parking fee?

A. The College of Agriculture is not paying to park its vehicles there, says Carol McAllister, assistant manager of Parking Operations. "Those vehicles are ones the College of Agriculture uses daily. They've been very cooperative in moving the ones they use less frequently to SG4."

She says the College of Agriculture uses its vehicles on a seasonal basis, and the ones currently being used are allowed to park in WC7. A campus parking committee review of special-use spaces and parking for official University vehicles is forthcoming, McAllister says.

Q. Who made the decision to schedule repairs in Brewer Fieldhouse during the first two weeks of classes rather than during the three-week break between summer session and fall semester? What rationale was used to justify the inconveniences when the repairs could have been scheduled between sessions?

A. The original installation was scheduled for Aug. 12 to 30, which would have overlapped with the fall semester only one week, says Suzanne Holland, assistant vice chancellor for Student Services and director of the Office for Student Development. But a delay in the delivery of materials for the installation of the Pro Gym surface left the campus recreation committee with two

choices: wait until Christmas break or go ahead as planned. Work began on Aug. 31. By working overtime and on Labor Day, the Collins and Aikman Co. was able to finish the project in just over two weeks, she says. "Maybe it was a bad decision, but we felt like we wanted to go ahead and get it down."

Q. Why is there no general information office in Jesse Hall? Certainly with all the questions people ask, there would seem to be a need for one.

A. There are two reasons for not having a general information office at UMC, says Duane Stucky, vice chancellor for Administrative Services. No. 1 is the cost of providing such a service, and No. 2 is for familiarity reasons. "We have found that there is no central office capable of handling all there is to know about the campus." Stucky advises persons with questions to call the Administrative Services hotline at 882-3331 or the information center in Memorial Union lobby at 882-3620.



Vol. 7 No. 5

A publication of the University of Missouri-Columbia faculty and staff, published every Friday during the academic year and twice a month during the summer by Publications and Alumni Communication, a department of Development, University and Alumni Relations Division, 1100 University Place, 882-7357. News deadline is noon Friday the week before publication. Annual subscriptions are available to retirees for \$10. Advisory board: Gerald Brouder, Brooke Cameron, Mike Chippendale, Sandy Clark, Bob Derryberry, Toni Gordon, Barbara Olson Smith, Bob Stewart, Harry Stoeckle and Donna Turner. Editor: Karen Worley. Assistant editor: Carol Again. Photo editor: Larry Boehm. Staff writer: Paul Hoemann.

Need Multiple Copies at Night or on Weekends?

Grants, manuscripts and proposals are not always written between 9 and 5. If you are working on projects in the evening or on weekends and "quick copy" is closed come to

Ellis Library Copy Service

On the second floor of the main library

We can run multiple copies, collate, and staple for you, all for only 5¢ a copy.

And, of course, we can also reduce, enlarge, make 11x17 copies and colored paper copies.

Hours: M-FRI 8-11 PM
SAT 9-9 PM
SUN Noon-Midnight

MAKE PLANS FOR HOMECOMING

"Mizzou's Golden Reign" is the theme for Homecoming Oct. 5. The Tigers will tackle the California Bears in a 1:30 p.m. matchup.

Other activities include a 10:30 a.m. luncheon Oct. 5 in the Hearnes Fieldhouse. Tickets at \$7.50 may be purchased by calling Alumni Relations at 882-6611 by 4 p.m. Sept. 28.

The parade will weave through campus and downtown, starting at 8:30 a.m. Oct. 5.

Activities Oct. 4 include a display of house decorations in Greektown beginning at 7 p.m. and a pep rally on Stankowski Field at 10 p.m.



ENGINEERING LOOKS BEYOND EDS PROPOSAL

The College of Engineering stands ready to respond to industry requests for continuing education programs, says Kenneth Ragsdell, professor and chair of mechanical and aerospace engineering.

Last week, Electronics Data Systems-General Motors notified UMC, one of four finalists considered for a major training program for engineers from EDS and GM, that no contracts relating to this program will be awarded. UMR also was a finalist. Cost of the three-year program was expected to range from \$80 million to \$100 million.

"If you had to pick winners and

losers in this thing, the College of Engineering and the three other finalists are winners. In my opinion, EDS is the loser. For whatever reason, it has chosen to walk away from what could have been one of the most exciting, innovative



continuing education programs in the world," says Ragsdell, who was project leader for the EDS-GM proposal.

"UMC can be proud that it submitted what was, according to EDS officials, a technically superior proposal," Ragsdell adds.

"We look back and can honestly say the time and money invested was well worth the results. We now have in place the details for an outstanding program. The EDS contract is only the tip of an iceberg. They were the first to ask for this, and others are certain to follow. When they do, we'll be ready."

JOBS

The following staff openings were approved and posted Sept. 23 and may be filled at any time after meeting the required posting period. Anyone with CMS computer access may view campus and UM vacancies by logging on to CMS and typing help jobs. If your terminal is not linked to the campus disk, type link UMCCMS 191 192 RR, enter, access 192 D, enter, help jobs. Or, over the phone, recorded listings of new job openings on campus and in central administration are available 24 hours a day. For professional vacancies call 882-2345; for secretarial/clerical positions call 882-2041; and for technical/service/maintenance openings call 882-2916. For more information or to apply for a job, contact Personnel Services, 201 S. Seventh St., west entrance, at 882-7976. Salary codes follow some listings in parentheses.

PROFESSIONAL
Administrative associate I, Agriculture Dean's Office, 75 percent FTE, deadline Oct. 4.
Assistant supervisor, custodial services, Memorial Union/Brady Commons.
Assistant supervisor dairy operations, Dairy Science.
Coordinator, media communications laboratory, Academic Support Center.
Director, central computing facility, Central Computing Facility-UM, deadline Sept. 30.
Director, development fund, Development Fund.
Director, management information system, Information Systems-UM, deadline Sept. 30.
Energy management engineer, Campus Facilities (electrical distribution design engineer).
Golf course supervisor (M-58), Golf Course.
Information specialist, KOMU-TV.
Manager (extension computing), University Extension Division.

Museum curator, Museum of Art and Archaeology, deadline Oct. 10.
Staff physician, Student Health, 75 percent FTE.
Student services coordinator-orientation, Student Development, deadline Oct. 4.
Supervisor, golf pro shop, Golf Course.
Training associate, Recreation and Park Administration.
TV director (M-55), KOMU-TV.
RESEARCH/SERVICE
Animal health technician (M-56), Veterinary Medicine and Surgery.
Drafting technician (M-58), Facilities Management-UM.
Electronics systems technician (H-50), Campus Facilities.
Engineering technician (M-61), Campus Facilities.
Laboratory assistant (M-53), Veterinary Diagnostic Laboratory.
Pharmacy technician I (M-55), Veterinary Medicine and Surgery.
Platemaker (H-24), Printing and Records Management Services-UM.
Production assistant (M-53), KOMU-TV, one position 75 percent FTE, one position 100 percent FTE; UED-Information.
Research engineering technician II, Physics and Astronomy.
Research/laboratory technician (M-56), Child Health.
Research specialist, Dalton Research Center, Microbiology (2).
Senior audio-visual technician (M-57), Academic Support Center.
Senior research/laboratory technician (M-59), Agricultural Engineering, Animal Sciences (2), Missouri Institute of Psychiatry (position located in St. Louis), Pharmacology, Physiology, Veterinary Biomedical Sciences (2), Veterinary Diagnostic Laboratory.
Senior research specialist, Biological Sciences, Surgery.
Storekeeper (M-57), Materials Management.
SECRETARIAL
Administrative assistant (M-59), Education Dean's Office, Law Library, Memorial Union (Accounting Services).
Library assistant I (M-57), Ellis Library-

Search/Cataloging.
Library clerk II (M-53), Ellis Library-Acquisitions; Ellis Library-Serials; Ellis Library-Special Collections, one-year position; Ellis Library-Special Collections/Cataloging.
Library clerk III (M-55), Ellis Library-Acquisitions, Ellis Library-Serials Department (Marking Unit).
Radio dispatcher (M-56), University Police.
Secretary (M-55), Business Office Campus Computing, Counseling Services-CPPC, Development-Research, Engineering Experiment Station, Health Services Management, Law, Medicine/Hematology-Oncology, Physics and Astronomy, Plastic Surgery, Sociology, Surgery.
Senior secretary (M-57), Electrical and Computer Engineering, Family and Community Medicine, Medicine/Infectious Diseases, President's Office-UM, School of Nursing, Statewide Extension-UM (2).
Word processing operator II (M-55), Development Fund, Finance, Veterinary Pathology.
CLERICAL
Clerk typist II (M-53), Alumni Development Records.
Senior accounting clerk (M-55), Alumni/Development Fund.
Senior stenographer (M-54), Animal Sciences, 75 percent FTE.
COMPUTER/TECHNICAL
Assistant manager, Bookstore/Computer Spectrum, University Bookstore.

Computer programmer (M-59), Agricultural Engineering.
Computer programmer/analyst II, Management Information Systems-UM.
Information specialist, Campus Computing.
Reactor operator (M-62), Research Reactor-UM, rotating shifts.

The following job openings were listed by the UMC Hospital and Clinics Personnel Department Sept. 23 and may be filled at any time after meeting the required posting period. For more information, call 882-8186.

ADMINISTRATIVE/PROFESSIONAL
Audiologist, Audiology.
Clinical dietitian, Clinical Dietetics (2).
Food service supervisor I, Food Service.
Manager, MPIP, Clinic Administration, Green Meadows, deadline Sept. 27; Plant Engineering.
Occupational therapist, Occupational Therapy.
CLERICAL
Chief accounting clerk, University Physicians.
Secretary, University Physicians, Clinic Administration.
NURSING
882-8701
Administrative nurse I, Nursing Service (2).
Education nurse I, Nursing Service.
Staff nurse, Nursing Service (8), Surgical Services (Operating Room), Pharmacy (I.V. Therapy).
TECHNICAL
Computer project manager, Computer Services.
Computer programmer/analyst I, Computer Services.

FOR THE RECORD

STUDY ABROAD: Application deadline for 1986-87 grants for graduate study abroad offered under the Fulbright Program and by foreign governments, universities and private donors is Oct. 4. More than 700 awards to more than 70 countries are available.

Applicants must be U.S. citizens, must generally hold a bachelor's degree and should be proficient in the language of the host country. Application forms and information are available from Chris Lucas, 101 Gentry Hall.

Application deadline for the British Universities Summer Schools' 1986 program is March 15. Courses in drama, history and literature are available to graduates, faculty and undergraduates who will have completed their junior year by June 1986. For more information contact Lucas.

CANDIDATE: In a statement released last week, Chancellor Barbara S. Uehling said, "I have consented to have my name included at this very early stage in the search for a new president at Iowa State. Search processes are intended to benefit both the institution and the individuals involved as they learn more about each other and discover whether there would be a good fit between the needs of the institution and the interests and capabilities of the individual. I have agreed to participate in the process in that spirit."
TRUMAN SCHOLARSHIP: Faculty, directors and deans are invited to nominate

students for the 1986 Harry S. Truman Scholarship Program. Outstanding undergraduates who have a high potential for leadership and future success in public service are eligible. The foundation will award 105 scholarships nationally, which cover eligible expenses up to \$5,000 a year for up to four years.

For more information, contact Otis Jackson, assistant provost, at 882-2094.

MINORITY FELLOWSHIPS: The Ford Foundation Doctoral Fellows for Minorities program, administered by the National Research Council, is offering 40 three-year predoctoral fellowships and 10 one-year dissertation fellowships to American Indians, Alaskan natives, black Americans, Mexican Americans/Chicanos and Puerto Ricans. Fellowships will be awarded to U.S. citizens studying in the behavioral and social sciences, humanities, engineering, mathematics, physical sciences and biological sciences.

Predocctoral fellowships include an annual stipend of \$10,000 to the fellow, and an annual institutional grant of \$6,000. Dissertation fellows will receive an \$18,000 stipend with no institutional grant. Application deadline is Nov. 15.

The National Research Council also plans to award Ford Foundation Postdoctoral Fellowships for Minorities to approximately 35 scientists, engineers and scholars in the humanities. Applicants should be U.S. citizens who are members of a designated minority group, who are preparing for or engaged in university teaching, and who hold doctoral or other terminal degrees. Application deadline is Jan. 17.

For details on either program, contact Fellowship Office, National Research Council, 2101 Constitution Ave., Washington, D.C. 20418.



MIZZOU EMPLOYEES CREDIT UNION

721 Locust St. Columbia

874-1477

7:30-5:30 M-F Closed 9-10 a.m. Tuesday



24-hour banking:
 Hospital &
 Clinics
 and 721 Locust

CALENDAR

To list events in the calendar, send information to Paul Hoemann, Mizzou Weekly, 1100 University Place, by noon Friday the week before publication.

Highlights

MUSIC: The Missouri Arts Quintet, a presentation of the Faculty Recital Series, will perform at 8 p.m. Sept. 30 in the Fine Arts Recital Hall.

EMPLOYEE DEVELOPMENT SEMINAR: "Personnel and Policy Resources" will be presented by Charles Hunter and Roger Jett, managers in UMC Personnel Services, from 9 a.m.-4 p.m. Oct. 3 in the training and development conference room, lower level Lewis Hall.

FOOTBALL: Team will play California in Homecoming game at 1:30 p.m. Oct. 5. Cost: \$12.50 reserved seat, \$5 general admission.

CONCERT: Saint Louis Symphony Orchestra with conductor Leonard Slatkin will perform at 3 p.m. Oct. 6 in Jesse Aud. Cost: \$12 faculty/staff, \$11 students. Call 882-3875.

27 Friday

LAW CONFERENCE: "Current Developments in Real Estate Finance Law," sponsored by the School of Law, will be presented by Professor Grant Nelson and Dean Dale Whitman from 8:30 a.m.-4:30 p.m. at the Ramada Inn, 1100 Vandiver Drive. Cost: \$95 with all materials, \$75 without text.

PUBLIC HEARING: An Investment Policy Task Force appointed to study UM policies governing investment of retirement and endowment trust funds in U.S. companies doing business in South Africa will meet from 11 a.m.-1:30 p.m. and 3:30-5:30 p.m. in the Mark Twain Room, University Center-East, UMR.

PSYCHIATRY: Larry B. Silver, deputy director of the National Institute of Mental Health in Rockville, Md., will speak about "Attention Deficit Disorders and Learning Disabilities" at 1 p.m. at the St. Louis State Hospital Complex, Kohler Bldg. Aud., 5400 Arsenal St., St. Louis.

CHEMISTRY: Masato Koreeda, professor of chemistry at the University of Michigan, will

speaking about "Stereocontrolled Synthesis of Acyclic Systems: An Odyssey from Oxy-Cope to Oxy-Claisen" at 1:40 p.m. in 32 Chemistry Bldg.

MSA FILM: "Starman" will be shown at 7 and 9:30 p.m. in Middlebush Aud. Cost: \$2.

28 Saturday

WOMEN'S CENTER: "Assertion Training for Trainers" workshop will be held from 9 a.m.-5 p.m. in 1 Gentry Hall. Call 882-6621.

FOOTBALL: Team will play Indiana at 1:30 p.m. Cost: \$12.50 reserved seat, \$5 general admission.

NURSING: "Women's Health," sponsored by the School of Nursing Continuing Education Program, will be held from 3:40-6:30 p.m. Wednesdays through Dec. 11 at the School of Nursing. Graduate fee is \$177, undergraduate fee \$138. Call 882-6403.

JAZZ CONCERT: The jazz band from the UMKC Conservatory of Music will present a free concert from 4-6 p.m. at the Powell Center in Lone Jack, Mo. Call (816) 566-2600 for more information.

MSA FILMS: "The Sure Thing" will be shown at 7 and 9:30 p.m. in Jesse Aud. Cost: \$2. "Star Trek II: The Wrath of Khan" will be shown at midnight in Memorial Union Aud. Cost: \$1.

29 Sunday

MSA FILM: "The Informer" will be shown at 8 p.m. in Memorial Union Aud. Cost: 50 cents.

30 Monday

NURSING: "Legal Issues in Nursing," sponsored by the School of Nursing Continuing Education Program, will be held from 8 a.m.-4:30 p.m. at the Holiday Inn West, 1900 I-70 Drive S.W. Cost: \$65. Call 882-6403.

NURSING: "Basic Critical Care Nursing," sponsored by the School of Nursing

Continuing Education Program, will be held from 11:40 a.m.-1:30 p.m. today and Fridays through Dec. 6. Cost: \$92. Call 882-6403.

WOMEN'S CENTER: June DeWeese, chair of the status of women committee, will speak on "Surviving College: Mentoring" at noon in 1 Gentry Hall.

BIOCHEMISTRY: Luis Glaser of Washington University School of Medicine will present "Control of Cell Growth and Differentiation in the Embryonal Nervous System" at 3:30 p.m. in S255 School of Nursing.

MUSIC: See Highlights.

MSA FILM: "Montenegro" will be shown at 8 p.m. in Memorial Union Aud. Cost: 50 cents faculty/staff.

1 Tuesday

WORKSHOP: "Extension Response to the Farm Financial Crisis" will be held today and tomorrow at the Clarion Hotel in St. Louis. Cost: \$60. Call Joanne Fredmeyer at 882-2429.

FACULTY COUNCIL: Group will meet at 3:40 p.m. in S110 Memorial Union.

CLOTHING AND TEXTILES: Susan Johnson, account supervisor for the Rowland Co., will discuss fashion accounts from 7-9:30 p.m. in Geology Aud. Class is open to faculty. Students must be enrolled in CT 355.

DEAN'S TUESDAY EVENING SEMINAR: Brian DeFacio, professor of physics, will speak about "Mathematical Modeling: Inverse Scattering Theory, Seeing Without Seeing" at 7:30 p.m. in 120 Physics. Dean Milton Glick will host a reception in 236 Physics afterward.

MSA FILM: "The Big Chill" will be shown at 8 p.m. in Memorial Union Aud.

2 Wednesday

NEW EMPLOYEE ORIENTATION: Personnel Services event will be held from 9-11 a.m. in the Training Room, 201 S. Seventh St.

TEST: Departmental Advance Credit Exams and English Proficiency Exam will be given at 10 a.m. in 201 Noyes.

PSYCHIATRY: Barry Garfinkel, director of child and adolescent psychiatry at the University of Minnesota School of Medicine, will discuss "Separation Anxiety Disorder" at 1 p.m. in the Truman Veterans Hospital Aud.

WOMEN'S CENTER: Laura Hacquard, Women's Center coordinator, will present "Sexual Harassment Goes to College" at 7 p.m. in 1 Gentry Hall.

MSA FILM: "The Gods Must Be Crazy" will be shown at 7 and 9:30 p.m. in Ellis Aud. Cost: \$1 faculty/staff, 50 cents students.

HERO: Shaila R. Aery, commissioner of the Coordinating Board for Higher Education, will speak at 7 p.m. in Gannett Aud.

3 Thursday

ALDC: The 1985 Missouri Annual Learning Disabilities Conference will be held from 7:30 a.m.-6:30 p.m. today, 7:30 a.m.-7 p.m. Friday and 6 a.m.-1:30 p.m. Saturday at the Radisson Muehlebach Hotel in Kansas City. Fees vary. Call Anna Zahner at (314) 644-8804 for information.

EMPLOYEE DEVELOPMENT SEMINAR: See Highlights.

WOMEN'S CENTER: Women's basketball coach Joann Rutherford will discuss the status of women's athletics in "That's the Way the Budget Bounces" at noon in 1 Gentry Hall.

ENTOMOLOGY: D. Bergman will present "Stub Cotton and Boll Weevils-A Case of Cultural Malpractice in Arizona" at 3:40 p.m. in 2-7 Agriculture Bldg.

BLACK CULTURE CENTER: Soul video, featuring "The Blues Brothers" and "Carwash," will be shown at 7 p.m. at the Black Culture Center, 823 Virginia Ave.

MEETING: Barrier-Free will meet at 7 p.m. in S4 Memorial Union.

CONCERT: The University Philharmonic will perform at 8 p.m. in Jesse Aud.

INTRAMURALS: Basketball and tennis competition begins today.

4 Friday

TEST: The PATB will be given from 8 a.m.-5 p.m. Advance registration required. Call 882-4801.

ENGINEERING: Advisory Council for the College of Engineering will meet from 8:30

a.m.-5 p.m. at the Holiday Inn West, 1900 I-70 Drive S.W.

FAMILY LAW CONFERENCE: Sponsored by the School of Law, the conference will be held from 8:30 a.m.-5 p.m. at the Flaming Pit Banquet Center in Parkade Plaza. Cost: \$75.

NURSING: "Quality of Life and Cancer," sponsored by the School Nursing Continuing Education Program, will be held from noon-10 p.m. today and from 8 a.m.-4:30 p.m. tomorrow at the Holiday Inn, Lake Ozark, Mo. Cost: \$110. Call 882-6403.

PSYCHIATRY: Robert G. Addison will speak about "Management of the Chronic Pain Syndrome" at 1 p.m. at the St. Louis State Hospital Complex, Kohler Bldg. Aud., 5400 Arsenal St., St. Louis.

MSA FILM: "Birdy" will be shown at 7 and 9:30 p.m. in Jesse Aud. Cost: \$2.

5 Saturday

TEST: The LSAT will be given. Advance registration required. Call 882-4801.

FOOTBALL: See Highlights.

MSA FILM: "Police Academy II" will be shown at 7 and 9:30 p.m. in Jesse Aud. Cost: \$2. "Moving Violation" will be shown at midnight in Memorial Union Aud. Cost: \$1.

CONCERT: David McKamie, pianist, will perform at 8 p.m. in the Fine Arts Recital Hall.

6 Sunday

CONCERT PREVIEW: Michael Budds, musicologist, will give a concert preview of the Saint Louis Symphony Orchestra at 2 p.m. in the Fine Arts Recital Hall.

CONCERT: See Highlights.

MSA FILM: "Wuthering Heights" will be shown at 8 p.m. in Memorial Union Aud. Cost: 50 cents.

Exhibits

COLUMBIA ART LEAGUE: Print, drawing, sculpture and ceramic works by artists Lonnie Tapia and Robert Friedman, BFA '80, will be on display from 10 a.m.-4 p.m. Monday-Saturday through Oct. 3 at 27 N. 10th St.

FINE ARTS AND ROGERS GALLERIES: "The Computer and Its Influence on Art and Design," a national touring exhibit, will be on display through Oct. 3. Hours are 9 a.m.-3 p.m. weekdays, and 2-4 p.m. Sundays.

MUSEUM OF ART AND ARCHAEOLOGY: "The Art of the Tall Building," original drawings and blueprints for seven early Kansas City skyscrapers, will be on display through Nov. 3 in 1 Pickard Hall. Hours are 8 a.m.-5 p.m. Tuesday-Friday and noon-5 p.m. weekends.

Excess items

Continued from Page 1.

delivered to the department, and a fee charged.

Excess property not sold to a University department within 30 days is sold at auctions open to the public, with 80 percent of the sale price going back to the originating department. The next auction will begin at 10 a.m. Oct. 12 in the warehouse. Sale bills will be posted on campus and published in the Columbia Daily Tribune.

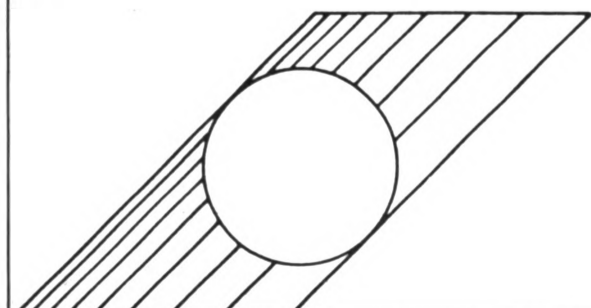
Materials Management also can handle auctions of estates bequeathed to the University, and equipment proceeds from those estates.

Another function of Materials Management is screening excess government property available for use by the University's agriculturally oriented departments. Since February, \$800,000 worth of property has been put to use on campus. Horticulture received three vehicles; four tractors and a scoop for heavy equipment went to South Farm, Baumgartner says. "The only charge for this property is for transporting it from a military base to campus." The property remains the property of the government, and must be returned when it is no longer needed or usable.

For more information about excess property, call Baumgartner at 882-3201 or storekeeper Dave Holst at 882-4912.

What's better than a night in the hospital ... and just as safe?

Watch for more information.



University of Missouri-Columbia
Hospital & Clinics

University Libraries
University of Missouri

Digitization Information Page

Local identifier MizzouWeekly(print)

Source information

Format Newspaper
Content type Text with images
Source ID Duplicate copies University Archives weeded out
Notes

Capture information

Date captured July-December, 2022
Scanner manufacturer Plustek OpticBook
Scanner model A300 Plus
Scanning system software Book Pavilion
Optical resolution 600 dpi
Color settings 8 bit grayscale for majority of pages;
 24 bit color for color illustrations/portraits/photographs
File types tiff
Notes

Derivatives - Access copy

Compression Tiff: LZW compression
Editing software Adobe Photoshop 2022
Resolution 600 dpi
Color same as captured
File types pdf created from tiffs
Notes Images cropped, straightened, and brightened.